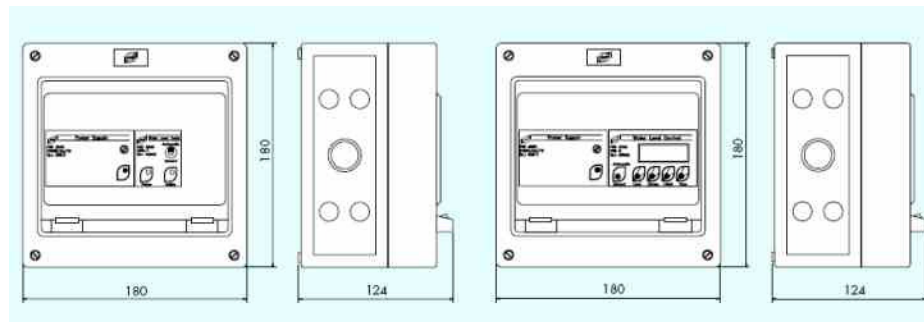


Water level control

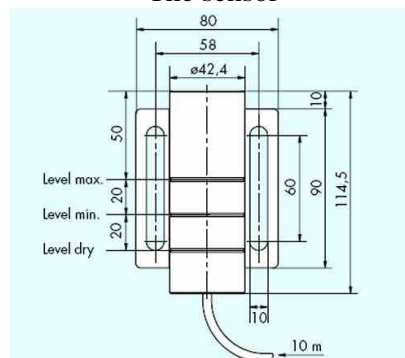
Fountain water level control



All dimensions are in mm



The sensor



The sensor has 10 metres of cable, valves are available in 1/2, 1 or 1 1/2 inch bsp sizes and are 24v dc operated.

Basic operation:

The sensor detects the water level. When the water level drops below a pre determined level (2cm) an electric valve will open allowing water to replenish the pool. The valve will close again when the maximum height is reached.

Unlike most other devices the water level controls have a slight delay allowing for water fluctuation when filling or fountain operating.

The actual level is determined by how high the level sensor is mounted.

Not included: Any other cables, pipe work or pool cable inlet glands, or pool water inlet.

For Further Information please visit our website www.exclusivefountains.co.uk